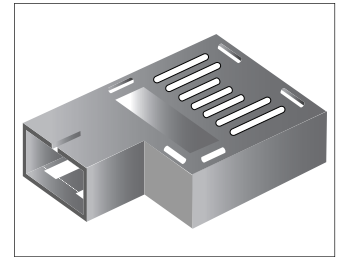




Description

The LTB3552 bi-directional optical transceiver is ideally suited for 155 Mb/sec FSAN (Full Service Access Network) point-to-point Fiber to the Home equipment, or SONET/SDH OC-3, ATM, Fast Ethernet and ONU PON applications where a single SMF fiber is required to simultaneously carry both Tx and Rx signals up to 40 km. A built-in high isolation WDM enables full duplex operation. It is mounted in the MSA compliant 1x9 package with the SC optical receptacle. The Tx section incorporates a high performance 1310 nm MQW DFB laser assembly and the Rx section incorporates a high sensitivity 1550 nm PIN/TIA photo receiver with limiting amplifier. The differential AC coupled Tx and Rx data interfaces are LVPECL compatible. The single ended monitor function Rx_SD is LVPECL compatible. The device operates from a single 3.3-volt power supply and is designed for operation over the temperature range of 0° to +70° Centigrade. The Class I laser transmitter complies with international safety standards.



Applications

- Full Service Access Network (FSAN)
- Fiber to the Home (FTTH) ONU PON
- Fast Ethernet (up to 155 Mb/sec)

Features and Benefits

- Transmitter and receiver in a single package
- Tx/Rx distance up to 40 km over SM fiber
- Integral SC simplex optical receptacle
- Single +3.3V power supply
- Industry standard MSA 1X9 outline
- 1310 nm MQW DFB laser diode transmitter
- High sensitivity 1550 nm PIN/TIA receiver
- Internal WDM: optical Tx to Rx isolation > 30 dB
- Cross talk > -40 dB
- Differential LVPECL AC coupled input and output
- Single ended LVPECL Rx SD Alarm function
- Wave solderable and aqueous washable package
- Operating temperature range 0 to +70 °C

Laser Safety

This device incorporates a Class 1 laser source and complies with IEC 825, U.S. FDA 21, CFR 1040.10 and 1040.11 (accession number 0210091-00) regulations. It must be operated within the specified temperature and voltage limits. The module optical ports module must be terminated with an optical connector or dust plug. Any internal modification to the transceiver renders the device non-compliant, voids any warranties and could result in a health hazard.

Absolute Maximum Ratings

Parameter	Symbol	MIN	MAX	Units
Storage Temp	Tstg	-40	+85	°C
Operating Temp	Tamb	0	+70	C
DC Supply	VCC	0	4.5	Volts
Signal / Data Input Voltage	Vin	GND	Vcc	Volts
Signal / Data Output Current	Iout	-	30	mA

Typical Operating Characteristics (T = 0 to 70 °C, VCC = 3.3 Volts, ICC = 100 mA TYP)

Parameter	Symbol	MIN	TYP	MAX	Units
Power Supply	VCC	3.135	3.3	3.465	V
Bit Rate		-	155	170	Mb/sec

Transmitter Section (DFB Laser Transmitter)

Optical Output (into 9/125 μ SMF)	Pout	-5	-	0	dBm
Tx Wavelength	λ _{out}	1260	1310	1360	nm
Spectral Line Width @ -20 dB	Δλ	-	-	1	nm
Side Mode Suppression Ratio	SMSR	30	-	-	dB
Extinction Ratio	ER	8.2	-	-	dB
Output Eye (Telcordia/Bellcore)		TR-NWT-000253 and ITU-T G.957 compliant			
Tx optical rise / fall time (10 - 90 %)	tr	-	-	2	ns
Input Noise floor	Rin	-	-	-116	dB/Hz
Total Jitter	Tj	-	-	1	nsec
Signal / Data Input Current (LOW)	IIL	-350	-	-	μA
Signal / Data Input Current (HIGH)	IiH	-	-	350	μA
Differential Signal Input Voltage	VIH-VIL	300	-	-	mV p-p
Signal / Data Input Voltage (LOW)	VIL-VCC	-2	-	-1.58	V
Signal / Data Input Voltage (HIGH)	VIH-VCC	-1.1	-	-0.74	V

Receiver Section (PIN/TIA Receiver)

Rx Optical Sensitivity	Pin	-	-	-33	dBm
Rx Operating Wavelength	λ _{in}	1480	1550	1600	nm
Rx Optical Pin Max	Pin MAX	-3	-	-	dBm
Signal Detect (ASSERT / Low to High)	Pa	-	-	-33	dBm
Signal Detect (DEASSERT / High to Low)	Pd	-43	-	-	dBm
Signal Detect Hysteresis	None	1.0	-	4.0	dB
Optical Return Loss	RL	14	-	-	dB
Signal Data Output Voltage - LOW	VIL-VCC	-2	-	-1.58	Volts
Signal Data Output Voltage - HIGH	VIH-VCC	-1.1	-	-0.74	Volts

Logic States: Tx ENABLE/DISABLE (LVTTTL); Rx SD (ECL 10K, 10KH, 100K, LVPECL)

Rx SIGNAL DETECT (LOW)	VIL-VCC	-2	-	-1.58	Volts
Rx SIGNAL DETECT (HIGH)	VIH-VCC	-1.1	-	-0.74	Volts

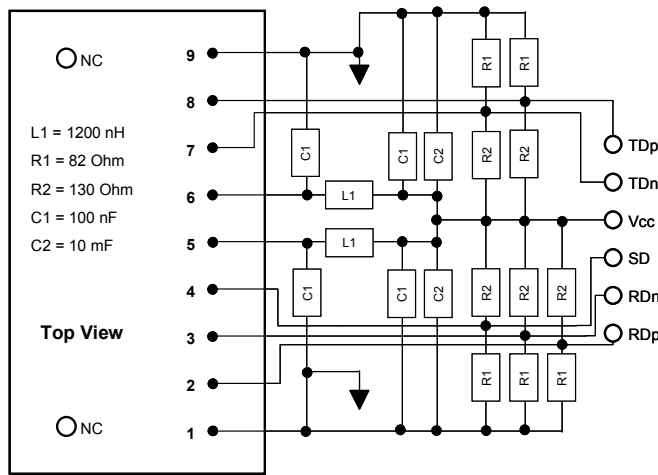


Ligent

intelligent photonics

LTB3552 1310 nm Tx / 1550 nm Rx

40 km 155 MBPS 1X9 SC Bi-Directional Transceiver

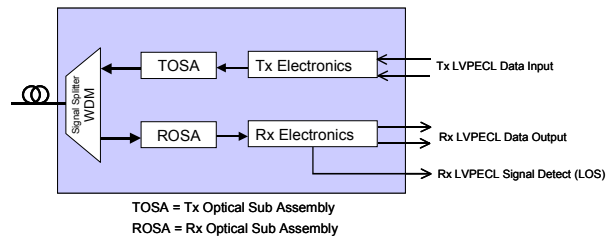


1 x 9 Bi-Directional Transceiver Pin Description			
Pin	Name	Level	Notes
1	Vee		Rx -DC, Ground
2	RDp	LVPECL	Rx Differential Data Out (+)
3	RDn	LVPECL	Rx Differential Data Out (-)
4	SD	LVPECL	HIGH = Normal; LOW = No Light
5	Vcc		Rx +DC Supply
6	Vcc		Tx +DC Supply
7	TDn	LVPECL	Tx Differential Data In (-)
8	TDp	LVPECL	Tx Differential Data In (+)
9	Vee		Tx -DC, Ground

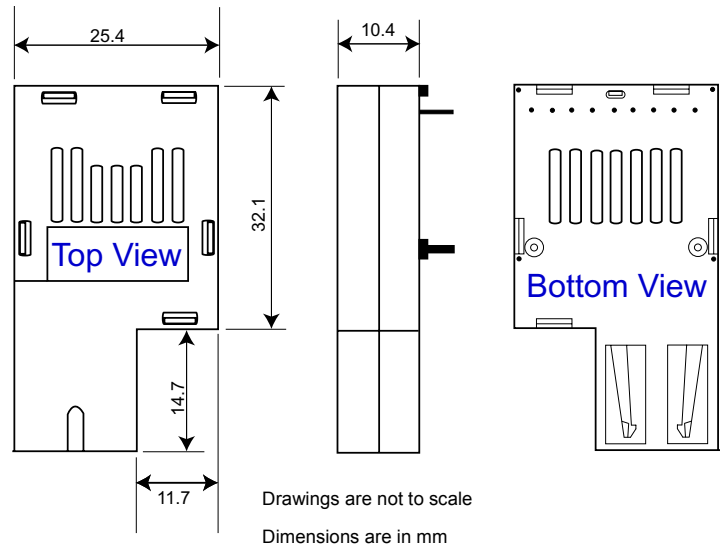
Circuit Design Notes

- The circuit layout must minimize stray lead inductance that could generate unwanted (spurious) signals or unwanted RF oscillation.
- The input impedance for each phase of the differential input and output signals is 50 Ohms to ground (82 Ohms in parallel with 130 Ohms). The use of micro strip is recommended for each signal path.
- The parasitic inductance of leaded components may desensitize the receiver or reduce the transmitter drive signal ($R+j\omega L$). The use of high quality chip resistors and chip capacitors are recommended.
- High-Q chokes are recommended for DC power supply decoupling to prevent a feedback path that can lead to unwanted RF oscillation. A 10 mF tantalum electrolytic capacitor is recommended for pulse charge storage.
- A ground plane on the bottom of the PCB may reduce the possibility of unwanted spurious signals and improve the sensitivity of the receiver. Plated through holes are recommended to minimize parasitic lead inductance.

Bi-Directional Transceiver Block Diagram



1X9 Package Outline Drawing



How to Order

Part Number	Data Rate	Transmitter	Receiver	Reach	Temperature Range	Package Option
LTB3552	155 Mb/sec	1310 nm / F-P	1550 nm	40 km	0 to 70 °c	SC Optical Receptacle

March 31, 2004